

SRZ



**KIYOSH SILICON
COATED EDGE
WOUND RESISTOR
WITH RADIAL
TAGS**

Features:

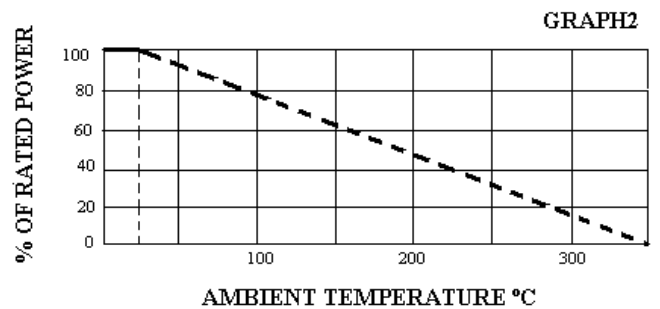
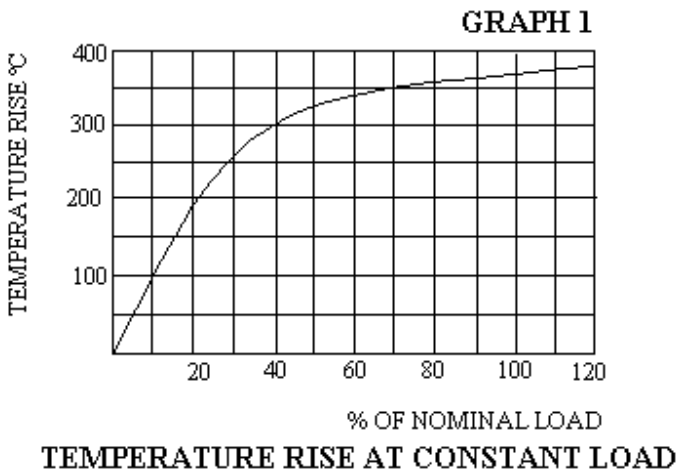
- Spot Welded/Brazed Joints For Reliability
- Low Temperature Coefficient
- Exceptional Stability And Performance.
- Fixed Taps And Adjustable Tags Available
- Custom Designed Resistor Assemblies Are Available On Request
- Brackets Available For Horizontal As Well As Vertical Mounting.
- Flame Proof Silicon Coating Available on demand.

SPECIFICATIONS:

- **OHMIC RANGE** : 0.05Ω To 30Ω (Std. Resistances from E-24 Series. Other Resistances available on request).
- **TOLERANCE** : ±5%.
- **POWER RATINGS (BASED ON 25° C)** : 35W To 1500W.
- **TEMPERATURE COEFFICIENT** : ±50ppm
- **SURFACE TEMPERATURE** : 350° C max at 25° C.
- **DERATE AT ZERO** : At 350° C.
- **OVERLOAD** : 10 times the wattage applied for 5 seconds
- **OPERATING TEMPERATURE** : -55° C to 200° C
- **DIELECTRIC VOLTAGE** : 1000V from mounting terminals to hardware.

MATERIALS USED

- **CORE** : Ceramic
- **TERMINALS** : Brass/SS/Copper
- **WIRE** : Cu-Ni Alloy Strips
- **COATING** : Silicon Varnish

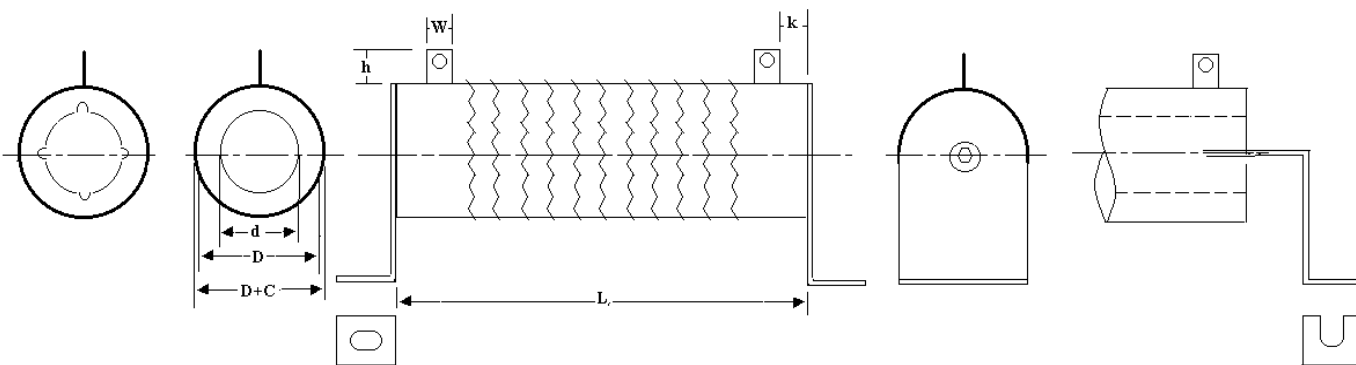


MARKINGS EXAMPLE

BRAND----- **KIYOSH 0428** -----DATE CODE
 OHMIC VALUE -- **4E7 ±5 % 500W** -----WATTAGE
└──────────────────┘ TOLERANCE
 TYPE ----- **SRZ-600**
 CODE NO -----**64500**

DERATING

- **For Efficient And Long Life Operation, These Resistors Should Be Derated By More Than 50%.**
- **Operating Temperature Range -55 to +200°C.**
- **Derating Necessary For High Ambient Temperatures As Shown In Graph2**



ELECTRICAL SPECIFICATIONS			DIMENSIONS IN mm							
WATTS AT 25°C	TYPE DESIGNATION	RESISTANCE RANGE	L ± 3	D ± 1	d min	D+C max	W ± 1	h ± 3	k min	
35	SRZ - 35	0.05Ω - 3Ω	50	14	8	26	6	15	6	
50	SRZ - 50	0.08Ω - 4Ω	75	14	8	26	6	15	6	
75	SRZ - 75	0.12Ω - 6Ω	100	14	8	26	6	15	6	
90	SRZ - 90	0.15Ω - 7.5Ω	90	19	12	31	6	15	6	
105	SRZ - 105	0.16Ω - 8.2Ω	100	19	12	31	6	15	6	
110	SRZ - 110	0.18Ω - 9.1Ω	115	19	12	31	6	15	6	
140	SRZ - 140	0.08Ω - 5.6Ω	100	30	19	42	8	20	8	
165	SRZ - 165	0.25Ω - 13Ω	165	19	12	31	6	15	6	
220	SRZ - 220	0.15Ω - 9.1Ω	150	30	19	42	8	20	8	
240	SRZ - 240	0.15Ω - 10Ω	165	30	19	42	8	20	8	
275	SRZ - 275	0.18Ω - 11Ω	200	30	19	42	8	20	8	
300	SRZ - 300	0.18Ω - 12Ω	250	30	19	42	8	20	8	
325	SRZ - 325	0.20Ω - 13Ω	200	37	19	49	10	25	10	
375	SRZ - 375	0.24Ω - 15Ω	300	30	19	42	8	20	8	
500	SRZ - 500	0.30Ω - 20Ω	300	37	19	49	10	25	10	
600	SRZ - 600	0.15Ω - 12Ω	300	45	32	57	10	25	10	
800	SRZ - 800	0.22Ω - 16Ω	355	50	35	62	10	25	10	
1000	SRZ - 1000	0.27Ω - 20Ω	355	60	35	72	10	25	10	
1250	SRZ - 1250	0.33Ω - 25Ω	555	50	35	62	10	25	10	
1500	SRZ - 1500	0.42Ω - 30Ω	555	60	35	72	10	25	10	

*For values other than specified, please consult the factory with complete specifications.

Tel. No (+91-22) 66951951-52-53

KIYOSH ELECTRONICS

114, VEENA DALVAI INDUSTRIAL ESTATE, S. V. ROAD
JOGESHWARI (WEST), MUMBAI-400102

WEBSITE- www.kiyosh.in , e-mail- kiyosh@kiyosh.in