

SW & CWC



KIYOSH
WATER COOL
WIRE_WOUND RESISTORS
ON CERAMIC TUBE
/COPPER PIPE

FEATURES:

- 70% Heat Dissipation In Water
- 50% Size Reduction Compare To Air Cool
- Low Surface Temperature
- Four Different Type Of Terminals
- Non-Inductive Type Availables
- Mounting Arrangements Available As Per Customer Need.
- Water Connection As Per Customer Need
- Low Temperature Coefficient For Better Stability
- Two-Value On One Available, For Snubber Applications
- Multi Range Available

SPECIFICATIONS:

UNIT

- **OHMIC RANGE** : 1E To 20K
- **TOLERANCE** : Std ±5% Others ±3%, 2%, 1%
- **SURFACE TEMPERATURE** : 200°C@40°C Ambient (Depends On Insulation Level) With Water Circular Of 15
- **DERATE TO ZERO** : At 350° C. Ambient
- **DIELECTRIC VOLTAGE** : 6 KV & 10 KV.

MATERIALS USED

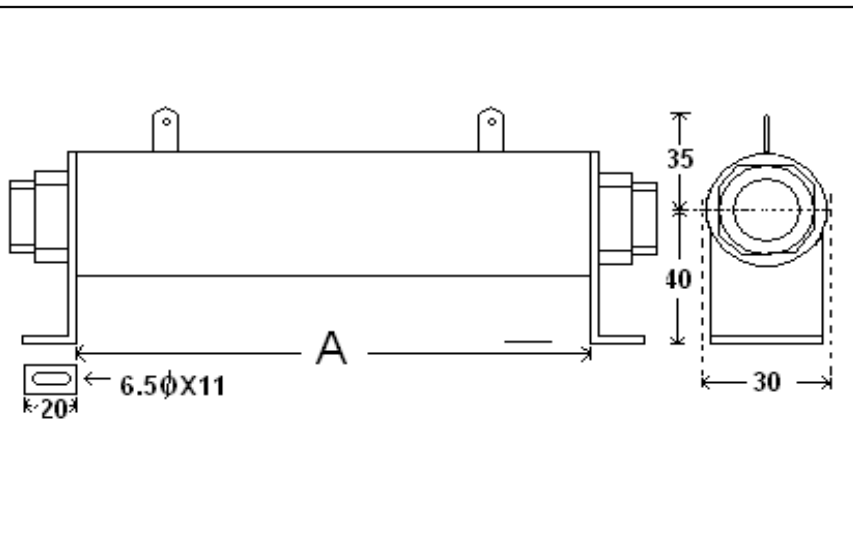
- **CORE** : Porcelime for 6 KV
- **WATER CIRCUIT** : Electrolytic Copper Tube
- **RESISTANCE WIRE** : Cu-Ni / Ni-Cr. Alloy
- **COATING** : Silicon Varnish With Fillers.

TYPES AVAILABLE

TERMINATION

1. Radial Tag
2. Screw / Nut
3. Push fix
4. Spacer & Bolt

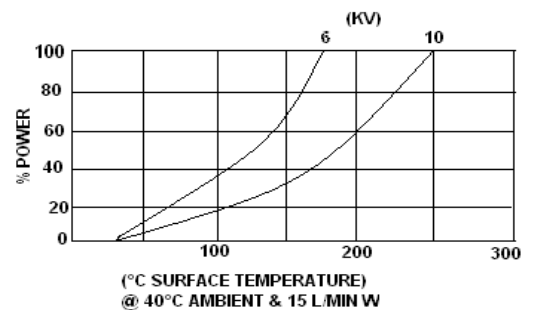
MECHANICAL DIMENSIONS



WATER CONECTION

1. Suitable for ¼” Festo Fitting
2. ½” Nipple
3. ½” Hose Nipple

SURFACE TEMP. V/S % POWER



Type							
Watts							
A							

Tube size, terminals, water connection & mounting arrangements other then shown, as per customer requirement, can be fabricated.

Tel. No (+91-22) 56951951-52-53, Fax (+91-22) 56951954

KIYOSH ELECTRONICS

114, VEENA DALVAI INDUSTRIAL ESTATE, S. V. ROAD
 JOGESHWARI (WEST), MUMBAI-400102

WEBSITE-www.kiyoshelectronics.com, e-mail- kiyosh@vsnl.com